



The Design of 2.4GHz Bipolar Oscillator by Using the Method of Negative Resistance

Cheng Sin Hang Tony
Sept. 14, 2001

Introduction

In this application note, the design on a 2.4GHz bipolar oscillator by the method of negative resistance will be used. In the design, a circuit simulator Advanced Design System (ADS) from Agilent Technologies will be used and it will be used to evaluate the performance of the designed oscillator at the end of the design.

Theory

In the negative resistance oscillator design, the negative resistors can be realized easily by a three terminals active device with proper feedback. This negative resistor is used to cancel out the lost from the resonator.

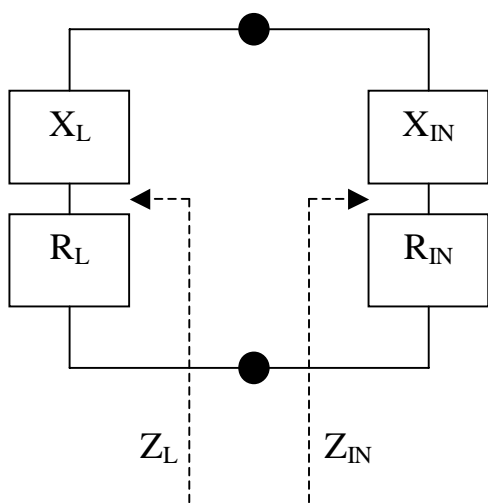


Fig.1 Negative resistance oscillator

The figure above (Fig. 1) shows a typical negative resistance oscillator. First, it is necessary to make sure the overall circuit to be unstable such that:

$$R_{IN} + R_L < 0 \dots\dots\dots(1)$$

When a stable oscillation occurs, the following conditions must be satisfied:

$$R_{IN} + R_L = 0 \dots\dots\dots(2)$$

$$X_{IN} + X_L = 0 \dots\dots\dots(3)$$

Base on the theory above, a negative resistance will be designed and simulated in ADS to satisfy equation (1) and a resonator will be designed and simulated in ADS to satisfy equation (2) and (3). Finally, the combined circuit will be simulated in ADS by the method of harmonic balance to see the overall performance the oscillator.

Simulator

There are many different simulators provided in ADS. In this oscillator design, only some are needed and they will be introduced here.

a. DC simulator

The DC simulator (Fig. 2) is used to simulate the dc performance of the circuit. It is used to design the dc biasing circuit in this design.

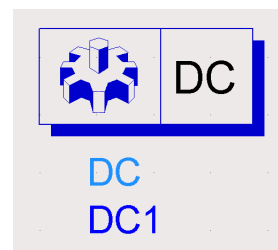


Fig. 2 DC simulator

b. S-parameter (S_param) simulator

The S_param simulator is used to find the circuit parameters such as s-, z- and y-parameters. The start and stop frequency of the wanted parameter is required by the simulator (Fig. 3). Besides, a circuit termination should be added in the circuit schematic as the measurement port of the circuit. It is used to find the input impedance of the active device in the negative resistance design and used to check the three oscillation condition equations in the resonator design.

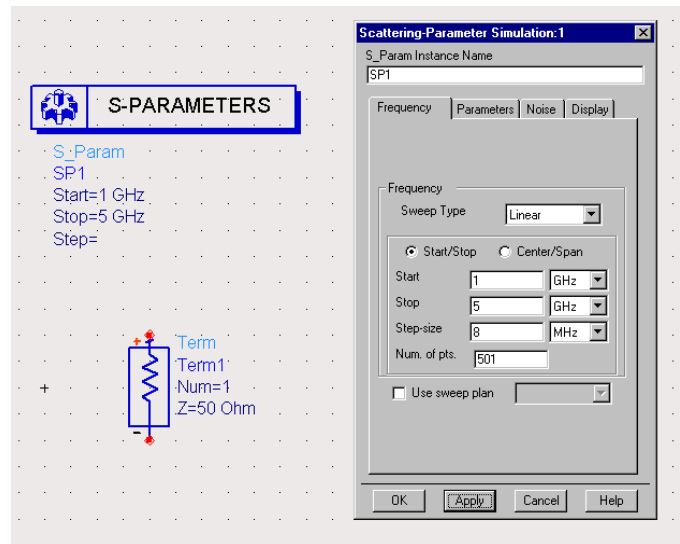


Fig. 3 S param simulator

c. Harmonic balance (HB) simulator

The HB simulator is used to simulate the performance of the oscillator. In this simulator, the expected fundamental frequency is required. Besides, an osc-port component is added in the circuit schematic. The osc-port should be placed such that it separates the negative-resistance portion of the oscillator from the resonator portion. The arrow should point in the direction of the negative resistance. This simulator is used in the final evaluation of the oscillation circuit.

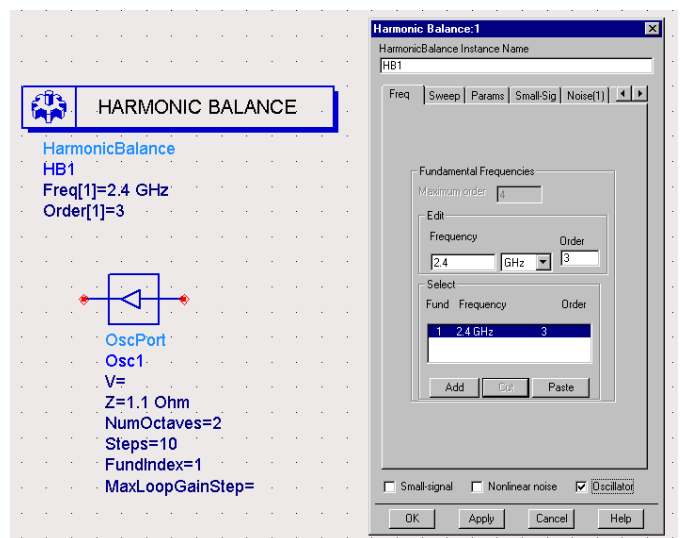


Fig. 4 Harmonic balance simulator

Circuit Simulation and Result

a. Biasing circuit

Before we start the design, a suitable transistor should be selected and provided a suitable dc bias (Fig.6). In this design, the Agilent Technologies High Performance Isolated Collector Silicon Bipolar Transistor HBFP0450 will be used. It will be biased to operate at 2V V_{CE} and 20mA I_C . The model of the transistor used in the simulation can be found in ADS component library (Fig. 5). In this simulation, the DC simulator in ADS is used to make sure the required biasing condition is obtained.

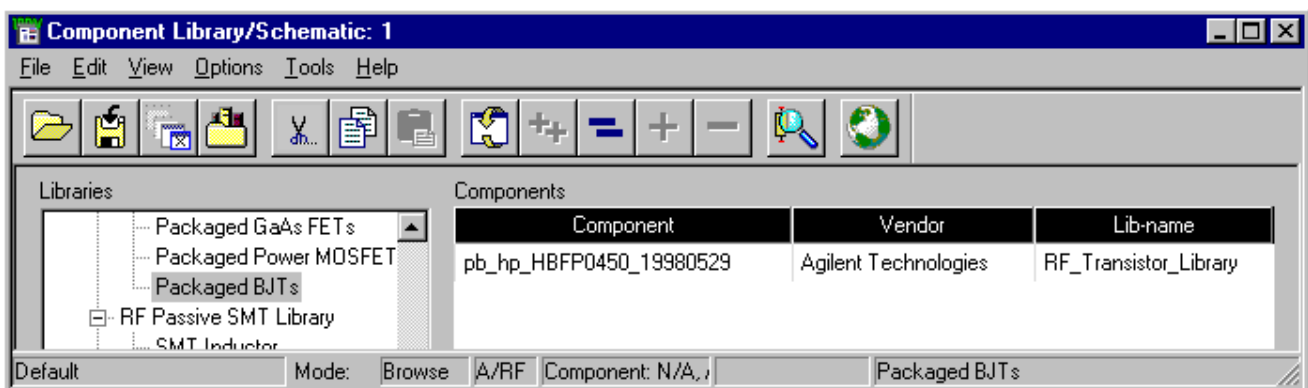


Fig. 5 Transistor HBFP0450 model in ADS

b. Negative resistance

After designed the biasing circuit, the transistor will be constructed as a common emitter capacitive feedback circuit (Fig. 7). This will produce a negative resistance in order to cancel the lost from the resonator. In this simulation, the S_param simulator in ADS is used to get the input impedance of the circuit. From the simulation result, it shows that the overall resistance of the circuit is zero near 2.4GHz (Fig. 8) and it satisfies equation (2). The reactance of the active device is capacitive at this frequency. It means that an inductive resonant tank is needed in this frequency to achieve the 2.4GHz oscillator design.

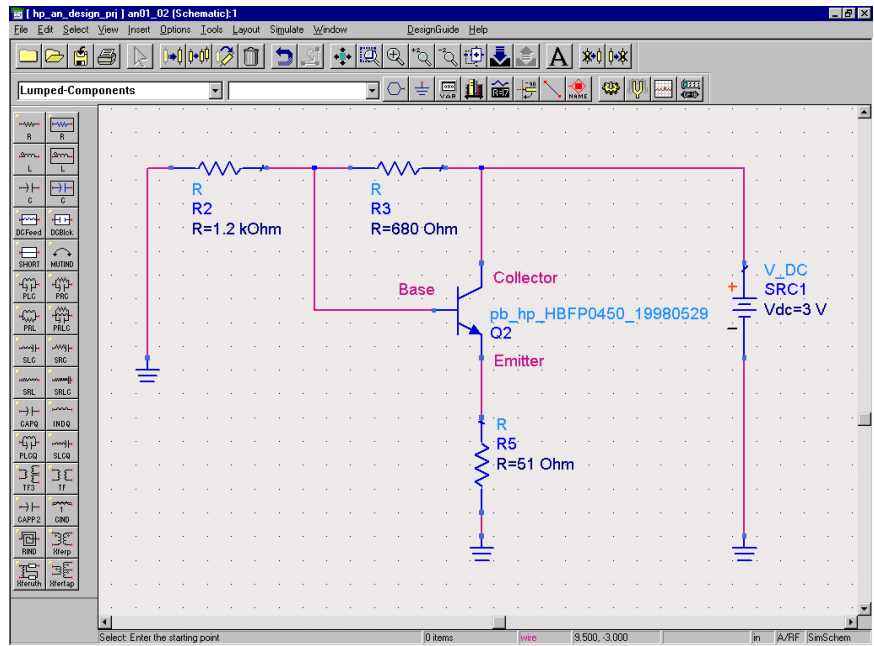


Fig. 6 Biasing circuit

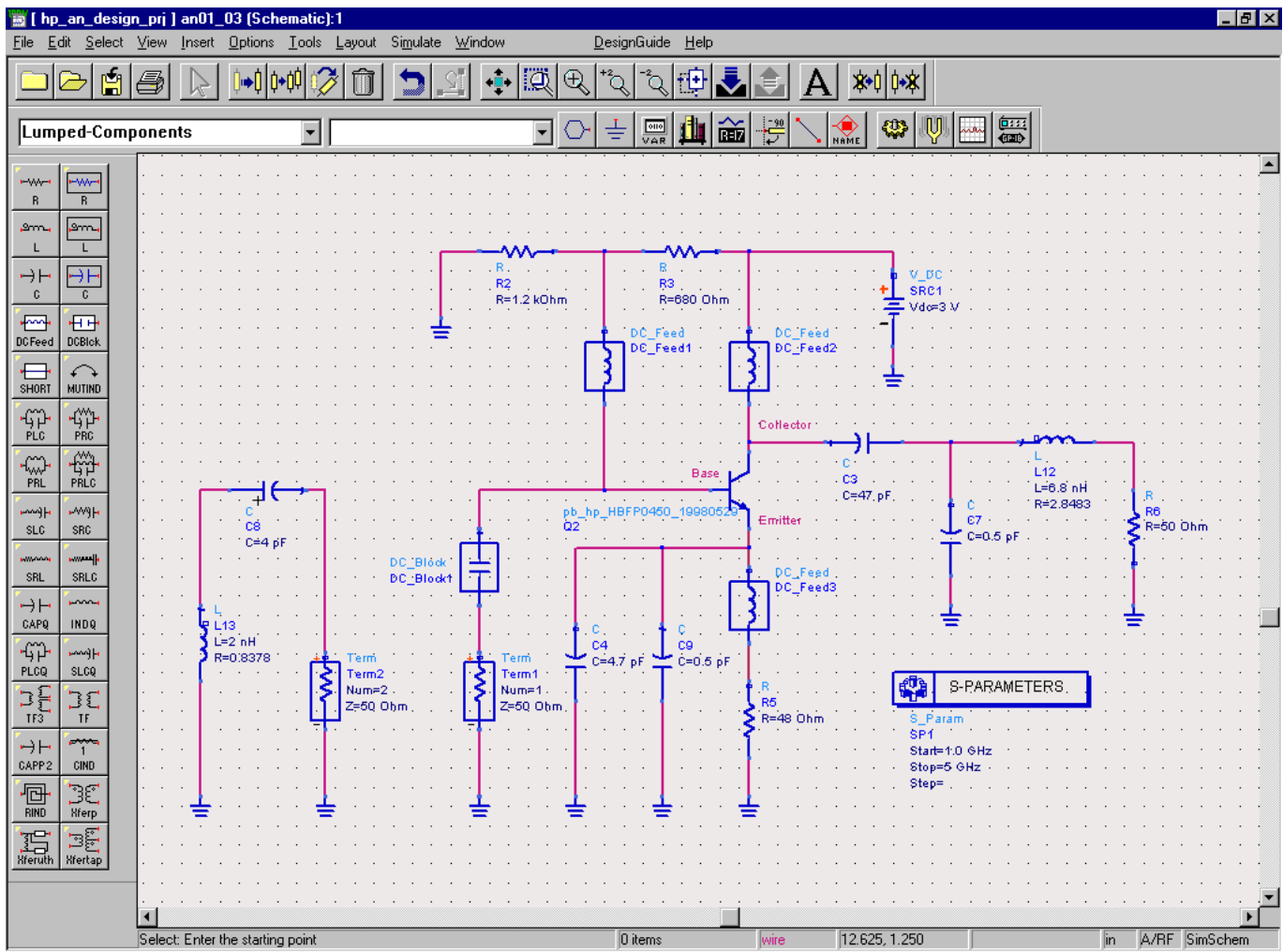


Fig. 7 Negative resistance and resonator simulation circuit

c. Resonator

Now, an inductive resonator is needed in order to make the circuit oscillate. In the resonator, a 4pF capacitor is used to increase the oscillation frequency of the circuit due to the limited value of the lumped inductor. It acts as a dc-block of the resonator also (Fig. 7). The Q-factor of the inductor is assumed to be 36. It will give a lost in the form of a resistor of 0.8378Ω. It is included in the simulation in order to give a more accurate simulation result. The circuit is simulated by the S_param in ADS again. From the simulation result, it shows that the net reactance equals to zero near 2.4GHz (Fig. 8). This satisfies equation (3).

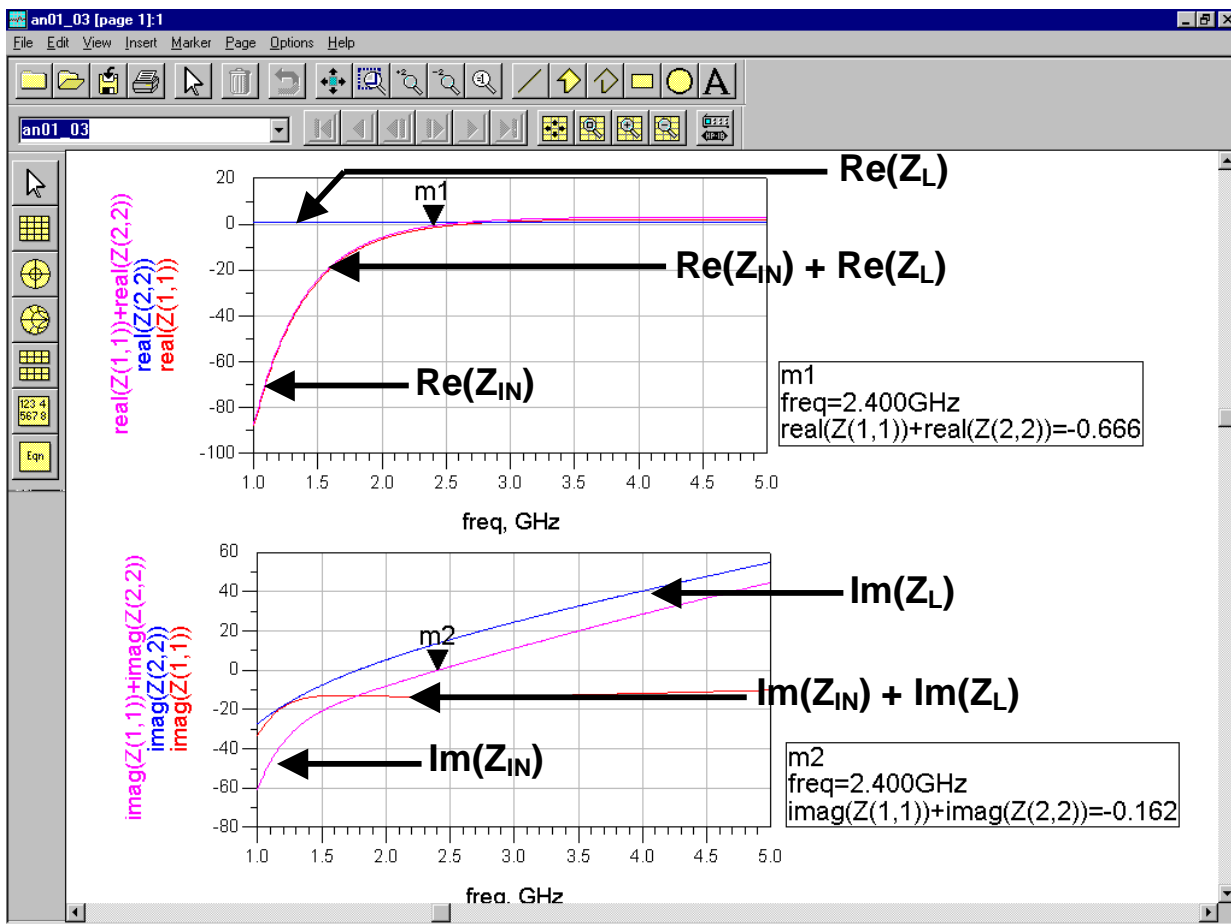


Fig. 8 Negative resistance and resonator simulation result

d. Full simulation and circuit evaluation

By combining the negative resistance and the resonator, the performance of the oscillator can be evaluated now. By modifying the circuit in Fig. 7, an oscillator circuit is obtained (Fig. 9). Here, the HB simulator is used. This simulator can simulate the fundamental frequency, output power and phase noise performance of the oscillator. Besides, the DC simulator will be used again to have a whole evaluation of the circuit.

After the simulation, the performance of the oscillator can be obtained (Fig. 10). The circuit oscillates at 2.4223GHz giving 4.575dBm output power. The circuit phase noise at 100kHz and 1MHz offset are -100.268dBc/Hz and -120.268dBc/Hz respectively. The dc simulation shows the required biasing condition also.

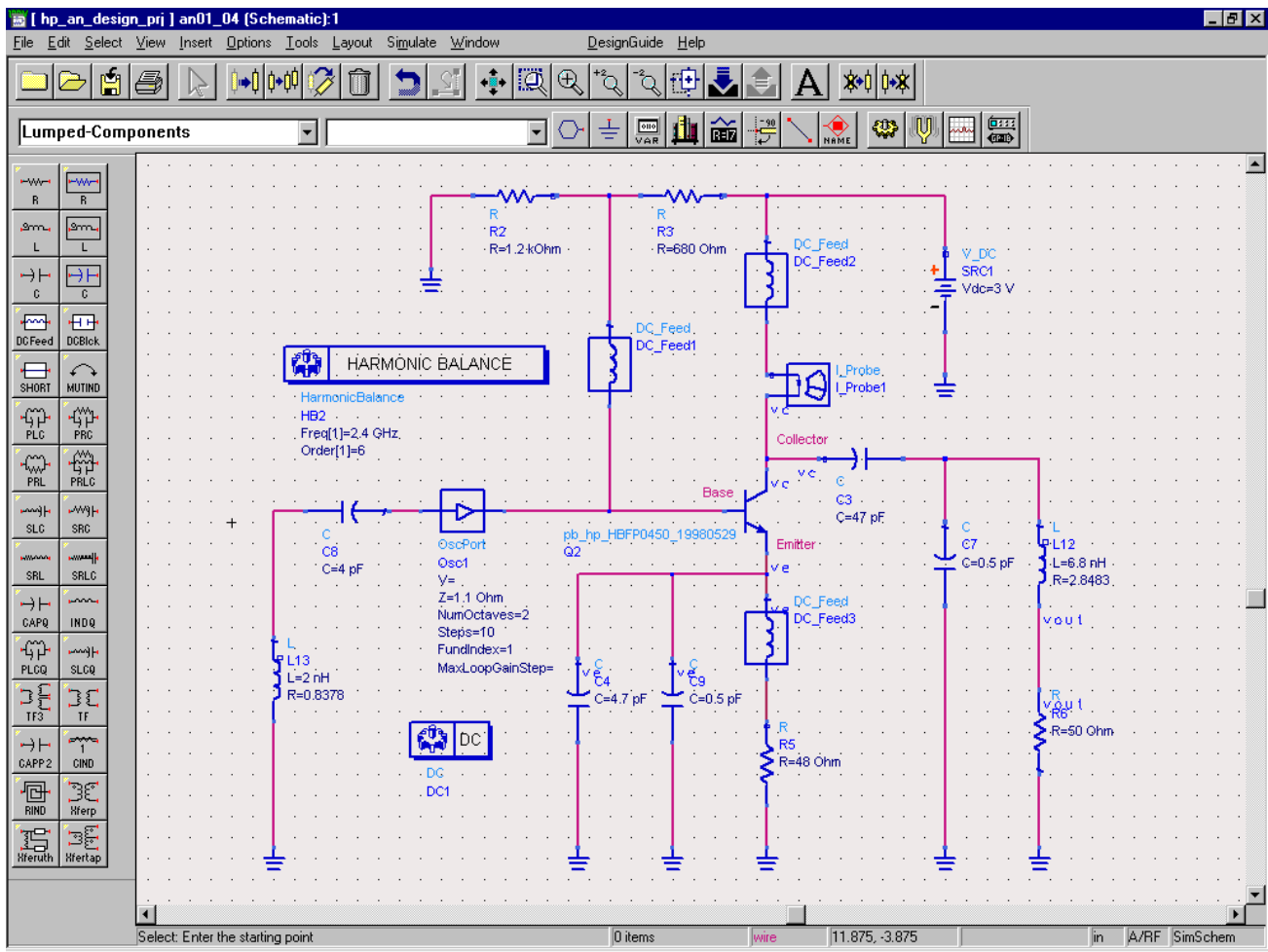


Fig. 9 2.4GHz oscillator circuit

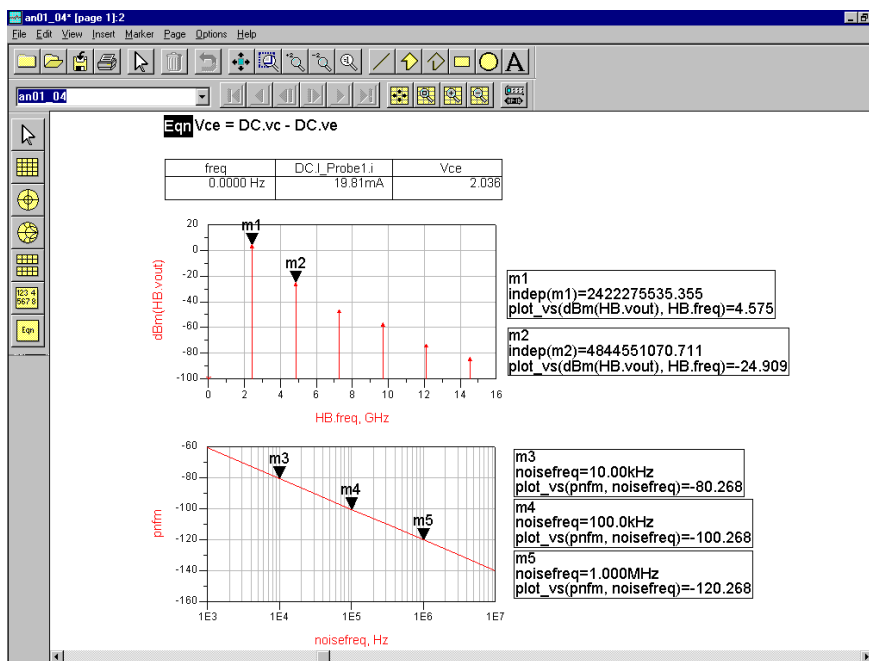


Fig. 10 Oscillator performance

Conclusion

In this application note, a typical negative resistance oscillator designed by using the advanced circuit simulator ADS is presented. By using a powerful simulator, the design time can be greatly reduced and engineers can have a good expectation on the circuit performance before the implementation of the circuit.

射频和天线设计培训课程推荐

易迪拓培训(www.edatop.com)由数名来自于研发第一线的资深工程师发起成立,致力并专注于微波、射频、天线设计研发人才的培养;我们于 2006 年整合合并微波 EDA 网(www.mweda.com),现已发展成为国内最大的微波射频和天线设计人才培养基地,成功推出多套微波射频以及天线设计经典培训课程和 ADS、HFSS 等专业软件使用培训课程,广受客户好评;并先后与人民邮电出版社、电子工业出版社合作出版了多本专业图书,帮助数万名工程师提升了专业技术能力。客户遍布中兴通讯、研通高频、埃威航电、国人通信等多家国内知名公司,以及台湾工业技术研究院、永业科技、全一电子等多家台湾地区企业。

易迪拓培训课程列表: <http://www.edatop.com/peixun/rfe/129.html>



射频工程师养成培训课程套装

该套装精选了射频专业基础培训课程、射频仿真设计培训课程和射频电路测量培训课程三个类别共 30 门视频培训课程和 3 本图书教材;旨在引领学员全面学习一个射频工程师需要熟悉、理解和掌握的专业知识和研发设计能力。通过套装的学习,能够让学员完全达到和胜任一个合格的射频工程师的要求...

课程网址: <http://www.edatop.com/peixun/rfe/110.html>

ADS 学习培训课程套装

该套装是迄今国内最全面、最权威的 ADS 培训教程,共包含 10 门 ADS 学习培训课程。课程是由具有多年 ADS 使用经验的微波射频与通信系统设计领域资深专家讲解,并多结合设计实例,由浅入深、详细而又全面地讲解了 ADS 在微波射频电路设计、通信系统设计和电磁仿真设计方面的内容。能让您在最短的时间内学会使用 ADS,迅速提升个人技术能力,把 ADS 真正应用到实际研发工作中去,成为 ADS 设计专家...



课程网址: <http://www.edatop.com/peixun/ads/13.html>



HFSS 学习培训课程套装

该套课程套装包含了本站全部 HFSS 培训课程,是迄今国内最全面、最专业的 HFSS 培训教程套装,可以帮助您从零开始,全面深入学习 HFSS 的各项功能和在多个方面的工程应用。购买套装,更可超值赠送 3 个月免费学习答疑,随时解答您学习过程中遇到的棘手问题,让您的 HFSS 学习更加轻松顺畅...

课程网址: <http://www.edatop.com/peixun/hfss/11.html>

CST 学习培训课程套装

该培训套装由易迪拓培训联合微波 EDA 网共同推出,是最全面、系统、专业的 CST 微波工作室培训课程套装,所有课程都由经验丰富的专家授课,视频教学,可以帮助您从零开始,全面系统地学习 CST 微波工作的各项功能及其在微波射频、天线设计等领域的设计应用。且购买该套装,还可超值赠送 3 个月免费学习答疑...

课程网址: <http://www.edatop.com/peixun/cst/24.html>



HFSS 天线设计培训课程套装

套装包含 6 门视频课程和 1 本图书,课程从基础讲起,内容由浅入深,理论介绍和实际操作讲解相结合,全面系统的讲解了 HFSS 天线设计的全过程。是国内最全面、最专业的 HFSS 天线设计课程,可以帮助您快速学习掌握如何使用 HFSS 设计天线,让天线设计不再难...

课程网址: <http://www.edatop.com/peixun/hfss/122.html>

13.56MHz NFC/RFID 线圈天线设计培训课程套装

套装包含 4 门视频培训课程,培训将 13.56MHz 线圈天线设计原理和仿真设计实践相结合,全面系统地讲解了 13.56MHz 线圈天线的工作原理、设计方法、设计考量以及使用 HFSS 和 CST 仿真分析线圈天线的具体操作,同时还介绍了 13.56MHz 线圈天线匹配电路的设计和调试。通过该套课程的学习,可以帮助您快速学习掌握 13.56MHz 线圈天线及其匹配电路的原理、设计和调试...

详情浏览: <http://www.edatop.com/peixun/antenna/116.html>



我们的课程优势:

- ※ 成立于 2004 年,10 多年丰富的行业经验,
- ※ 一直致力并专注于微波射频和天线设计工程师的培养,更了解该行业对人才的要求
- ※ 经验丰富的一线资深工程师讲授,结合实际工程案例,直观、实用、易学

联系我们:

- ※ 易迪拓培训官网: <http://www.edatop.com>
- ※ 微波 EDA 网: <http://www.mweda.com>
- ※ 官方淘宝店: <http://shop36920890.taobao.com>